



Affinity Power Fascia Installation Installation Supplement

This supplement relates to the installation of the Pure and Form Fascias to Duo Power and Duo Power 2 Models and must be read in conjunction with the main appliance installation instructions.

Manufacturer Contact Details:

Burley Appliances Ltd
Lands End Way
Oakham
Rutland
LE15 6RB

Tel: (01572) 725570

Fax: (01572) 724390

E-Mail: info@magiglo.co.uk

Web Site: www.magiglo.co.uk

Technical Support: Direct Dial on **(01572) 725570** or email: technical@magiglo.co.uk

Magiglo Document Number:

MF389.2 CAS

Revision Date:

22 Jan 2010

Copyright:

This documentation is copyrighted by Burley Appliances Ltd. ©2009.

No part of this document may be copied, photocopied or reproduced in any form or by any means without permission in writing from Burley Magiglo.

Magiglo is a registered trademark Burley Appliances Ltd.

INSTALLATION OF PURE OR FORM FASCIA

1. Unpack the contents of the Fascia Pack.
2. Separate the door from the mounting frame by opening and lifting the door off of the two-part hinges as indicated in **Figure 3**. Set the door carefully aside.
3. Remove all remaining packaging from the mounting frame.
4. Fold the long centre tab (see **Figure 1**) fully forward by 180 degrees.
5. If using Affinity extension plates (required if installing using Freedom Surround), fit the extension plates to the mounting frame at this point, as shown in **Figure 2**.
6. Offer the mounting frame up to the appliance opening and centralise it ensuring that the underside of the folded centre tab is level with the underside of the top flange of firebox.
7. Once the desired position is achieved (level in all planes) mark the four hole positions, set the frame aside, then drill and plug the previously marked holes.
8. Having ensured all connections have been completed on the appliance, secure the mounting frame to the wall. (See **Figure 3**).
9. Re-hang the door and check for satisfactory operation.

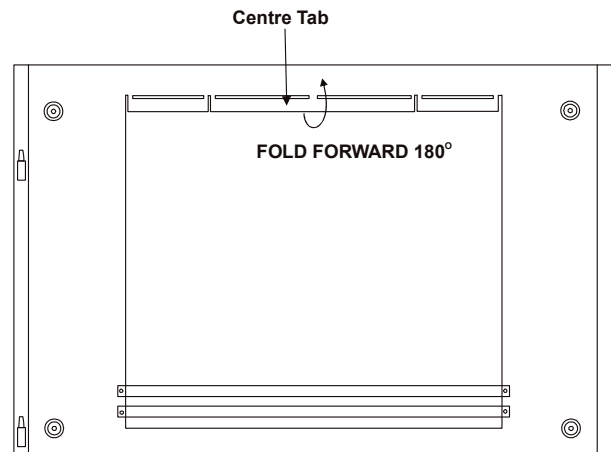


Figure 1

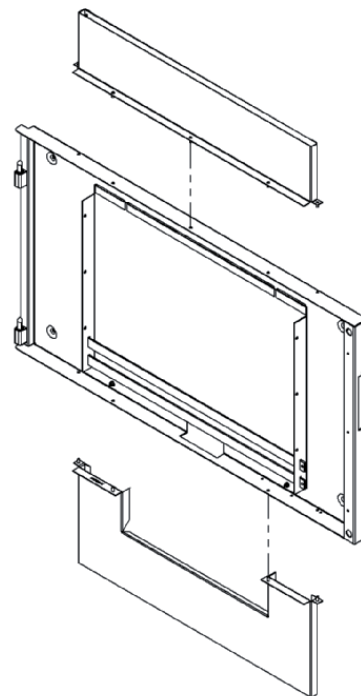


Figure 2

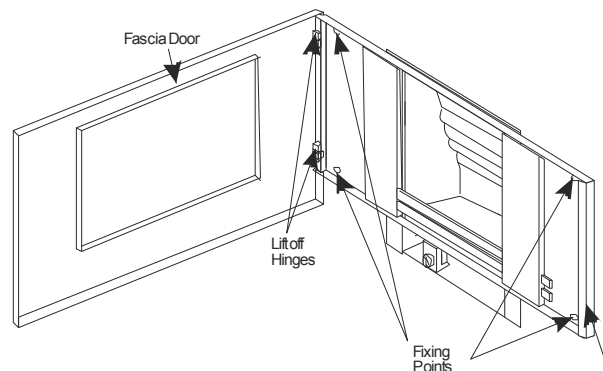


Figure 3



The fascia mounting frame must be flat and level in all directions when fitted. Failure to ensure this will result in poorly fitting fascia (door). Suitable material may be used behind the frame fixing points to level it.

This page is intentionally left blank



Burley Magiglo fires are protected by UK patents 2193802, 2240620 and 2256920

Magiglo is a registered trademark of Burley Appliances Ltd.



Burley Appliances Ltd, Lands End Way
Oakham, Rutland, LE15 6RB

Tel: 01572 725570 Fax: 01572 724390
www.magiglo.co.uk Email: info@magiglo.co.uk